



# BXUV.W426 - FIRE-RESISTANCE RATINGS - ANSI/UL 263

## Design/System/Construction/Assembly Usage Disclaimer

- Authorities Having Jurisdiction should be consulted in all cases as to the particular requirements covering the installation and use of UL Certified products, equipment, system, devices, and materials.
- Authorities Having Jurisdiction should be consulted before construction.
- Fire resistance assemblies and products are developed by the design submitter and have been investigated by UL for compliance with applicable requirements. The published information cannot always address every construction nuance encountered in the field.
- When field issues arise, it is recommended the first contact for assistance be the technical service staff provided by the product manufacturer noted for the design. Users of fire resistance assemblies are advised to consult the general Guide Information for each product category and each group of assemblies. The Guide Information includes specifics concerning alternate materials and alternate methods of construction.
- Only products which bear UL's Mark are considered Certified.

## BXUV - Fire Resistance Ratings - ANSI/UL 263 Certified for United States

## BXUV7 - Fire Resistance Ratings - CAN/ULC-S101 Certified for Canada

See General Information for Fire-resistance Ratings - ANSI/UL 263 Certified for United States  
Design Criteria and Allowable Variances

See General Information for Fire Resistance Ratings - CAN/ULC-S101 Certified for Canada  
Design Criteria and Allowable Variances

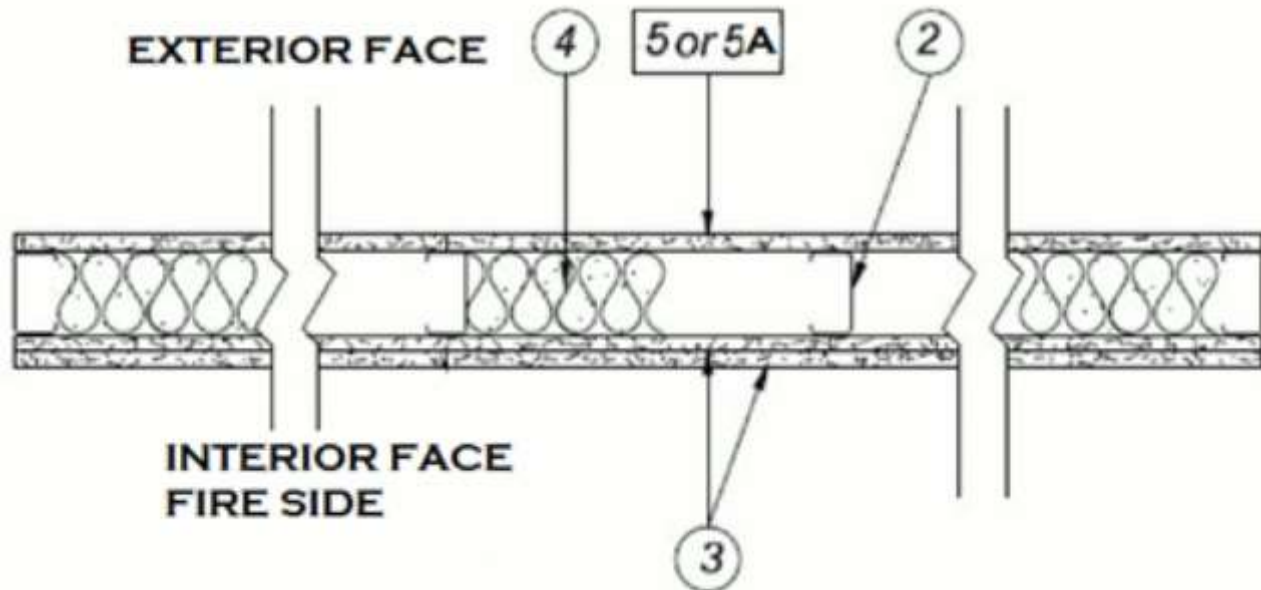
### **Design No. W426**

March 13, 2018

### **(Exposed to Fire on Interior Face Only)**

### **Nonbearing Wall Rating — 1 Hr.**

**\* Indicates such products shall bear the UL or cUL Certification Mark for jurisdictions employing the UL or cUL Certification (such as Canada), respectively.**



1. **Floor and Ceiling Runner** — (Not Shown) — Min. 25 MSG galv steel, 1-1/8 in. return legs, 3-5/8 in. deep (min), attached to floor and ceiling with fasteners 24 in. OC max.

2. **Steel Studs** — Min 3-5/8 in. deep, formed of min 25 MSG galv steel max stud spacing 24 in. OC. Studs to be cut 1 in. less than assembly height.

3. **Gypsum Board\*** — Nom 5/8 in. thick, two layers applied vertically or horizontally to the steel studs with the vertically and horizontally joints offset by 24 inches between layers. Base layer attached with 1-1/8 in. long Type S steel screws spaced 8 in. OC at the perimeter and 12 in. OC in the field. The face layer attached with 2 in. long Type S steel screws spaced 8 in. OC at the perimeter and 12 in. OC in the field. Screws between base and face layers offset by max. 6 in.

**AMERICAN GYPSUM CO** — Types AGX-1, AGX-12, LightRoc, M-Glass or AG-C

**CERTAINTED GYPSUM INC** — Type X, Type X-1, Easi-Lite Type X-2

**GEORGIA-PACIFIC GYPSUM L L C** — Type GPFS1

**SAINT-GOBAIN GYPROC MIDDLE EAST FZE** — Type Gyproc FireStop, Gyproc FireStop MR, Gyproc FireStop M2TECH, Gyproc FireStop ACTIV'Air, Gyproc FireStop MR ACTIV'Air, Gyproc FireStop M2TECH ACTIV'Air, Gyproc DuraLine, Gyproc DuraLine MR, Gyproc DuraLine M2TECH, Gyproc DuraLine ACTIV'Air, Gyproc DuraLine MR ACTIV'Air, Gyproc DuraLine M2TECH ACTIV'Air

**UNITED STATES GYPSUM CO** — Type SCX, ULIX

**USG BORAL DRYWALL SFZ LLC** — Type SCX

4. **Foamed Plastic\*** — Spray applied, foamed plastic insulation, to completely filling stud cavity.

**GACO WESTERN L L C** — Gaco WallFoam 183M

5. **Wood Structural Panel Sheathing** — 4 ft wide, 1/2 in. thick oriented strand board (OSB) or 15/32 in. thick structural 1 sheathing (plywood) complying with DOC PS1 or PS2, or APA Standard PRP-108, manufactured with exterior glue, applied horizontally or vertically to the steel studs. Vertical joints centered on studs. Attached to studs with flat-head self-drilling tapping screws with a min. head diam. of 0.292 in. at maximum 6 in. OC. in the perimeter and 12 in. OC. in the field. Aluminum, vinyl or steel siding, brick veneer or stucco, meeting the requirements of local code agencies may be applied over the Wood Structural Panel Sheathing.

5A. **Gypsum Sheathing** — As an option to Item 5, exterior regular gypsum sheathing. 1/2 or 5/8 in. thick applied vertically or horizontally, attached to studs and runners with 1 in. long Type S12 steel screws spaced 12 in. OC along studs and runners. Aluminum, vinyl or steel siding, brick veneer or stucco, meeting the requirements of local code agencies may be applied over the gypsum sheathing.

**\* Indicates such products shall bear the UL or cUL Certification Mark for jurisdictions employing the UL or cUL Certification (such as Canada), respectively.**

Last Updated on 2018-03-13

---

The appearance of a company's name or product in this database does not in itself assure that products so identified have been manufactured under UL's Follow-Up Service. Only those products bearing the UL Mark should be considered to be Certified and covered under UL's Follow-Up Service. Always look for the Mark on the product.

UL permits the reproduction of the material contained in the Online Certification Directory subject to the following conditions: 1. The Guide Information, Assemblies, Constructions, Designs, Systems, and/or Certifications (files) must be presented in their entirety and in a non-misleading manner, without any manipulation of the data (or drawings). 2. The statement "Reprinted from the Online Certifications Directory with permission from UL" must appear adjacent to the extracted material. In addition, the reprinted material must include a copyright notice in the following format: "© 2019 UL LLC"