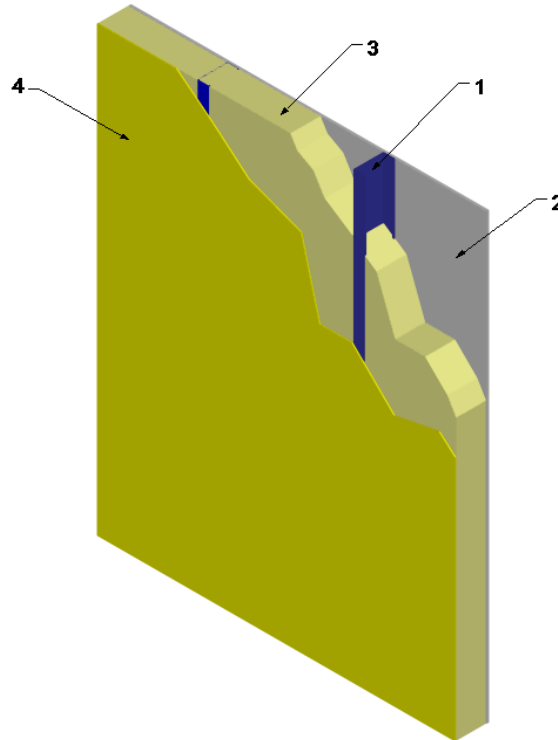


---

**Gaco, a Division of Firestone Building Products Company, LLC**  
**Design No. GWL/FI 30-06**  
**Gaco EZSpray F4500 Spray-Applied Polyurethane Insulation**  
**NPFA 285**  
**Rating: Meets Conditions of Acceptance**

---



**1. WALL FRAMING:** Install 3-5/8 in. deep, 20 GA galvanized steel studs spaced max. 24 in. on center (oc). Secure steel studs to 3-5/8 in. 20 GA top and bottom track (not shown) using #8, 7/16 in. long, self-tapping, pan-head framing screws.

OPTIONAL – Install nominal 2 x 4 fire-retardant treated wood studs, complying with the definition and requirements prescribed in the International Building Code. Studs shall be spaced max. 16 in. oc.

**2. GYPSUM BOARD:** Install 5/8 in. thick Type X gypsum board with long dimension perpendicular to studs (Item 1). Attach to steel studs (Item 1) using #6, Type S, 1-1/4 in. long,

self-tapping, bugle-head screws. Attach to wood studs (Item 1) using #6, 1-5/8 in. long, coarse thread, bugle-head screws or use #13, 1-5/8 in. drywall nails.

Fasteners for fire-retardant treated wood studs shall be of hot-dipped zinc-coated galvanized steel, stainless steel, silicon bronze, or copper.

Space fasteners 8 in. oc around perimeter and 12 in. oc in the field.

**3. CERTIFIED COMPANY:** Gaco, a Division of Firestone Building Products Company, LLC

**CERTIFIED PRODUCT:** Spray Polyurethane Foam Insulation



**Division 07 – Thermal and Moisture Protection**  
**07 21 00 Thermal Insulation**  
**07 21 19 Foamed-In-Place Insulation**

**CERTIFIED MODEL:** Gaco EZSpray F4500

**INSULATION:** Spray-apply a nominal 3-5/8 in. thick layer of Gaco EZSpray F4500 at its nominal density of 0.55 pcf, to completely fill the steel stud (Item 1) cavity.

- 4. EXTERIOR SHEATHING:** Install 5/8 in. thick, GP DensGlass® Gold Exterior Sheathing to the exterior side of studs (Item 1). Install sheathing with long dimension perpendicular to studs. Attach to steel studs using #6, Type S, 1-1/4 in. long, self-tapping, bugle-head screws. Attach to wood studs (Item 1) using #6, 1-5/8 in. long, coarse thread, bugle-head screws or use #13, 1-5/8 in. drywall nails.

Fasteners for fire-retardant treated wood studs shall be of hot-dipped zinc-coated galvanized steel, stainless steel, silicon bronze, or copper.

Space fasteners 8 in. oc around perimeter and 12 in. oc in the field.

- 5. OPENINGS (Not Shown):** Openings must be protected with 20 GA steel framing.
- 6. FLOORLINE FIRESTOPPING (Not Shown):** Install 4 in. thick, 4.0 pcf mineral wool in the stud cavity at the floorlines.