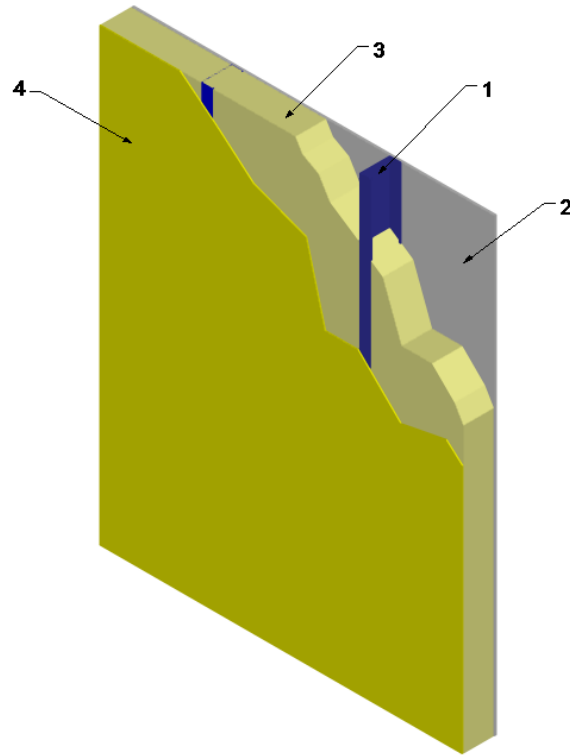

Gaco, a division of Firestone Building Products Company, LLC
Design No. GWL/FI 30-04
Non-Load Bearing Wall System
Gaco F1880 Spray-Applied Polyurethane Insulation
NPFA 285 (2012)
Rating: Meets Conditions of Acceptance



- 1. WALL FRAMING:** Install 3-5/8 in. deep, 20 GA galvanized steel studs spaced max. 24 in. on center (oc). Secure steel studs to 3-5/8 in. 20 GA top and bottom track (not shown) using #8, 7/16 in. long, self-tapping pan-head framing screws.

OPTIONAL: Install nominal 2 x 4 fire-retardant treated wood studs, complying with the definition and requirements prescribed in the International Building Code. Studs shall be spaced maximum 16 in. oc.

- 2. GYPSUM BOARD:** Install 5/8 in. thick Type X gypsum board with long dimension perpendicular to studs (Item 1). Attach to steel

studs (Item 1) using #6, Type S, 1-1/4 in. long, self-tapping bugle-head screws. Attach to wood studs (Item 1) using #6, 1-5/8 in. long, coarse thread, bugle-head screws or use #13, 1-5/8 in. drywall nails.

Fasteners for fire-retardant treated wood studs shall be of hot-dipped zinc-coated galvanized steel, stainless steel, silicon bronze, or copper.

Space fasteners 8 in. oc around perimeter and 12 in. oc in the field.

- A. JOINT TAPE AND COMPOUND – (Not Shown)**
Apply a level 2 finish of vinyl or casein, dry or



Division 07 – Thermal and Moisture Protection
07 21 00 Thermal Insulation
07 21 19 Foamed-In-Place Insulation

premixed, joint compound applied to the following elements: Apply to face layer of gypsum board (Item 2) in two coats to all exposed fastener heads and gypsum board joints. Embed min. 2in. wide paper, plastic, or fiberglass tape in first layer of compound over joints in gypsum board (Item 2).

3. CERTIFIED COMPANY: Gaco, a division of Firestone Building Products Company, LLC

CERTIFIED PRODUCT: Spray Polyurethane Foam Insulation

MODEL: Gaco F1880

INSULATION: Spray-apply a nominal 3-5/8 in. thick layer of Gaco F1880 at its nominal density of 2.2 pcf, to completely fill the steel stud (Item 1) cavity.

4. EXTERIOR SHEATHING: Install 5/8 in. thick, GP DensGlass® Gold Exterior Sheathing to the

exterior side of studs (Item 1). Install sheathing with long dimension perpendicular to studs. Attach to steel studs using #6, Type S, 1-1/4 in. long self-tapping bugle-head screws. Attach to wood studs (Item 1) using #6, 1-5/8 in. long, coarse thread, bugle-head screws or use #13, 1-5/8 in. drywall nails.

Fasteners for fire-retardant treated wood studs shall be of hot-dipped zinc-coated galvanized steel, stainless steel, silicon bronze, or copper.

Space fasteners 8 in. oc around perimeter and 12 in. oc in the field.

5. OPENINGS (Not Shown): Openings must be protected with 20 GA steel framing.

6. FLOORLINE STOPPING (Not Shown): Install 4 in. thick, 4.0 pcf mineral wool in the stud cavity at the floorlines.