

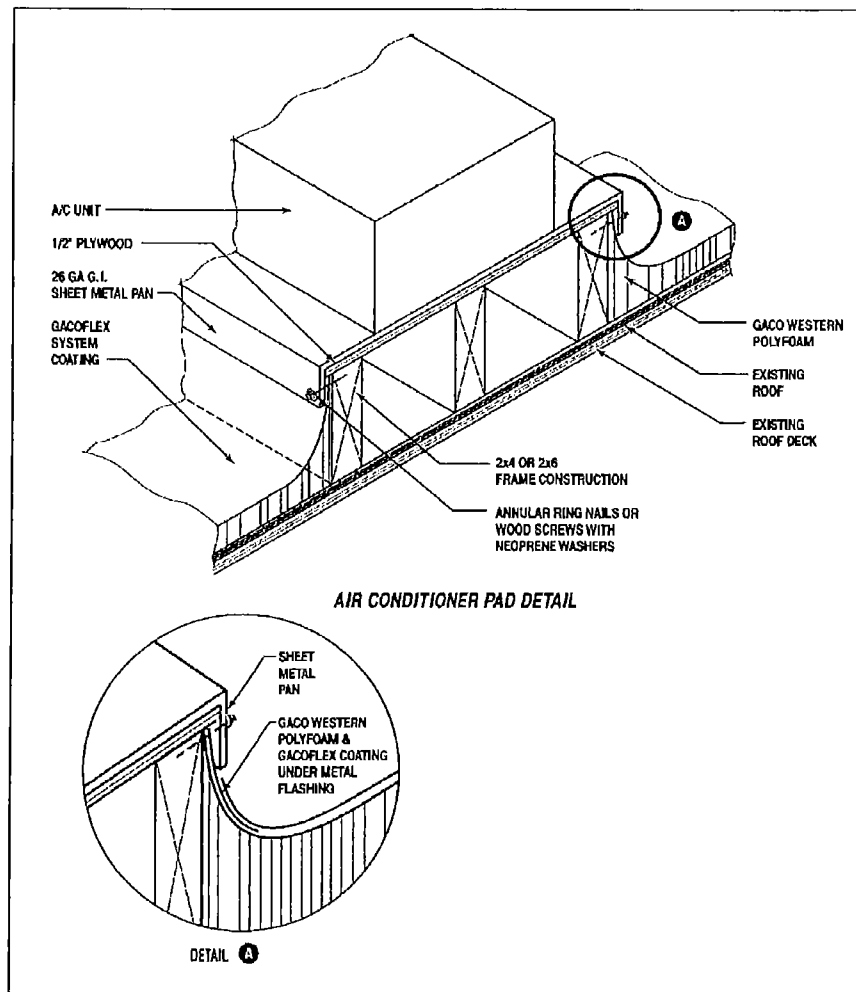
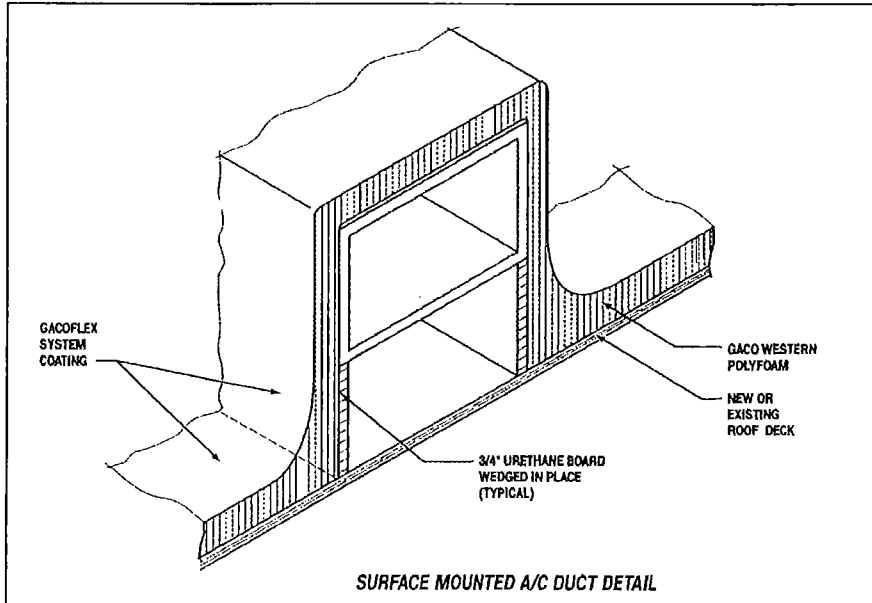


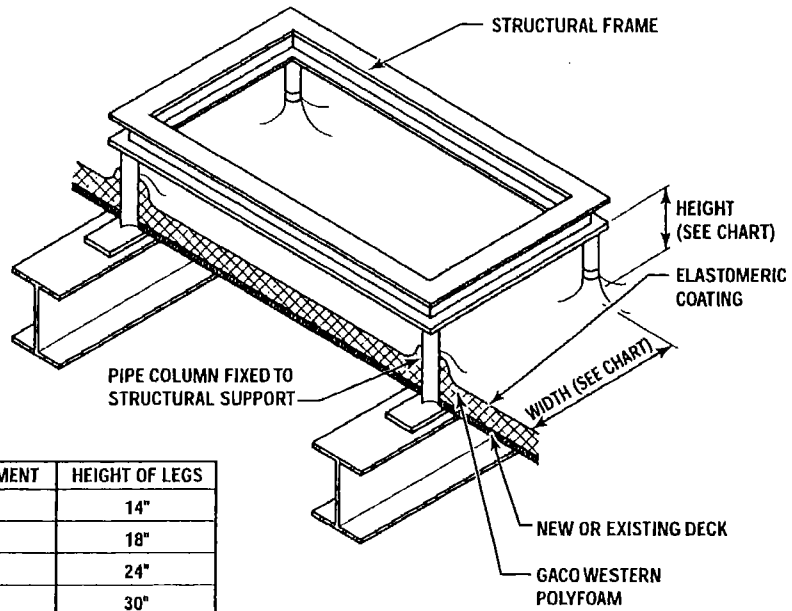
# General Instructions

Western Region  
PO Box 88698  
Seattle, WA 98138  
1-800-456-4226  
www.gaco.com

Central Region  
PO Box 646  
Waukesha, WI 53187  
1-800-331-0196  
www.gaco.com

GW-5-D6  
September 2011





WIDTH OF EQUIPMENT	HEIGHT OF LEGS
UP TO 24"	14"
25" TO 36"	18"
36" TO 48"	24"
48" TO 60"	30"
60" AND WIDER	48"

**MECHANICAL EQUIPMENT SUPPORT  
NEW AND REMEDIAL**