

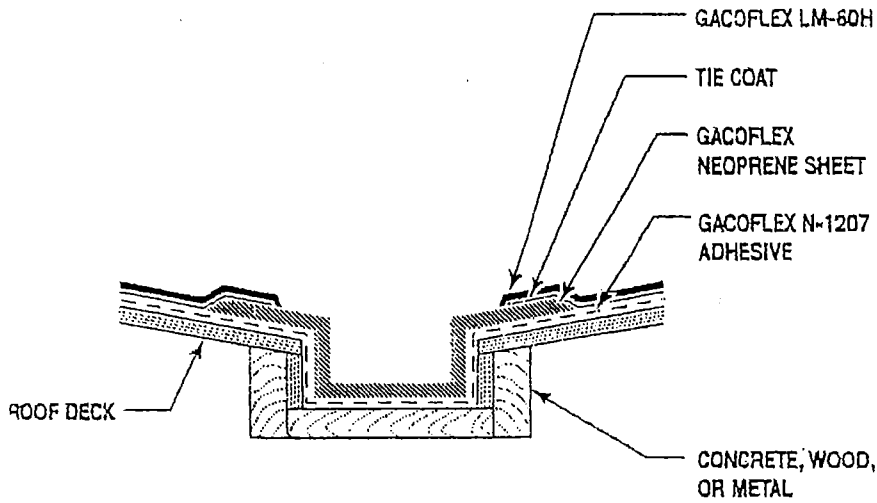


General Instructions

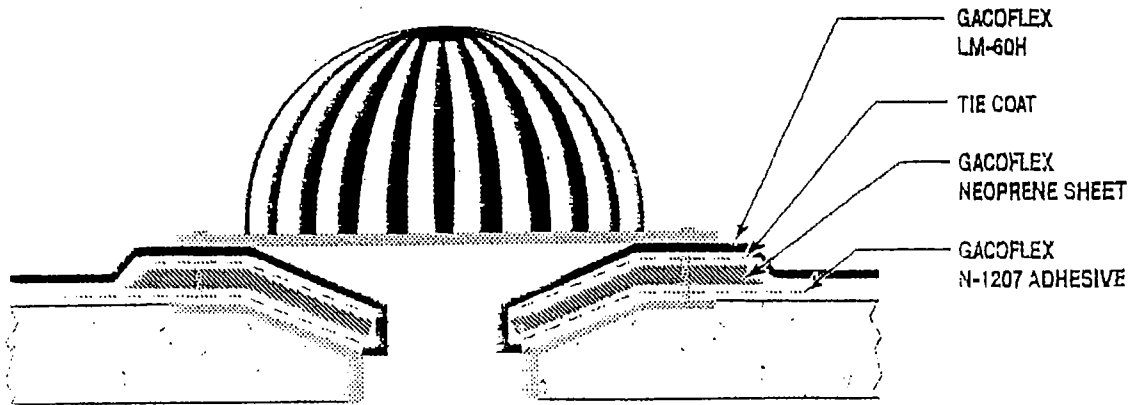
Western Region
PO Box 38698
Seattle, WA 98138
1-800-456-4226
www.gaco.com

Central Region
PO Box 646
Waukesha, WI 53187
1-800-331-0196
www.gaco.com

GW-5-D16
September 2011



GUTTER DETAIL



DRAIN DETAIL

