

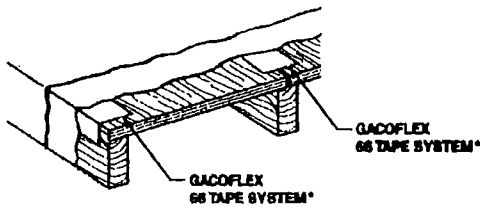
General Instructions

GW-5-D1
Standard Details
September 2011

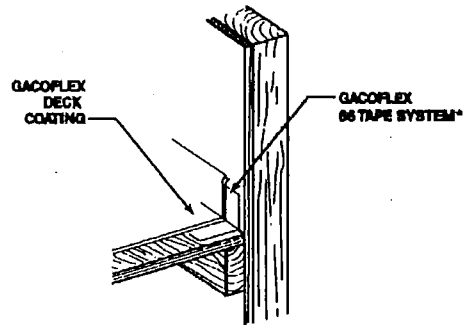
TERMINATIONS AND CHANGES OF PLANE

These details show termination methods for roof and deck specifications. The type, number of coats,

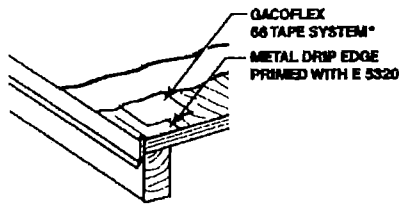
or quantity of coating is stated in the application specification.



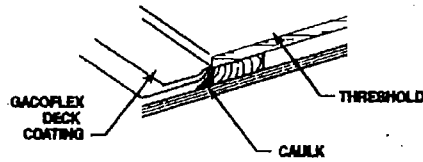
OPTIONAL PERIMETER & JOINT DETAIL



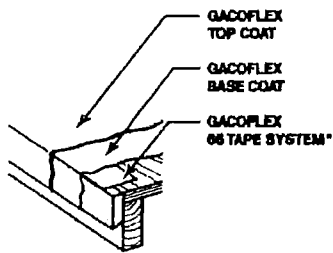
DECK CHANGE OF PLANE DETAIL



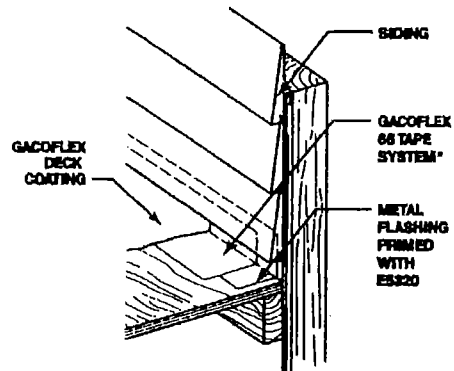
PREFERRED PERIMETER DETAIL



THRESHOLD DETAIL



OPTIONAL PERIMETER DETAIL



DECK CHANGE OF PLANE DETAIL WITH SIDING

PLYWOOD TERMINATIONS

